

flow limiter



altecnic

flow limiter



Application

Water is a precious asset to be used sparingly and should not be allowed to run to waste in excessive amounts.

The Altecnic flow limiter is ideal for domestic use and in public and commercial buildings to conserve water and minimise wastage.

The flow limiter is easy to install to the outlet from bath shower valves, bar showers, other showers and fittings having a male threaded connection for the handset flexible hose.

It is easy to install on new and existing installations.

The flow regulator is durable with low maintenance and available with 3 flow rates.

A check valve option is also available.

Flow Rates without Flow Regulation

Typical flow rates without flow regulation through 15mm diameter outlet.

Supply pressure

Supply pressure	Flow rate
1 bar:	15.0 l/m
2 bar:	21.3 l/m
3 bar:	26.3 l/m
4 bar:	30.1 l/m

Technical Data

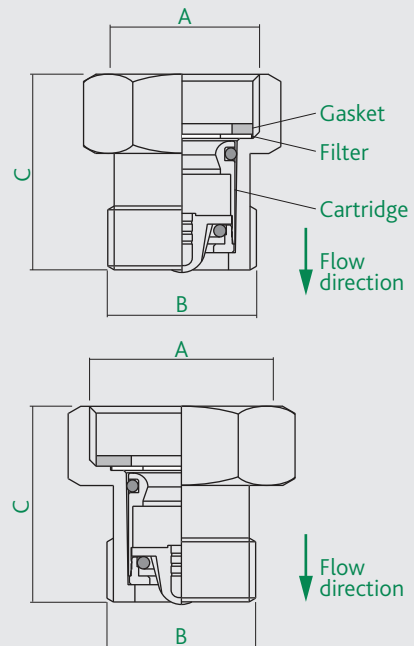
Maximum inlet pressure:	10 bar
Maximum inlet temperature:	80°C
Accuracy:	±10%
Body material:	Brass or ABS
Threads BSP parallel:	BS EN ISO 228

Flow Colour Code

Green:	6 l/m
White:	8 l/m
Blue:	10 l/m

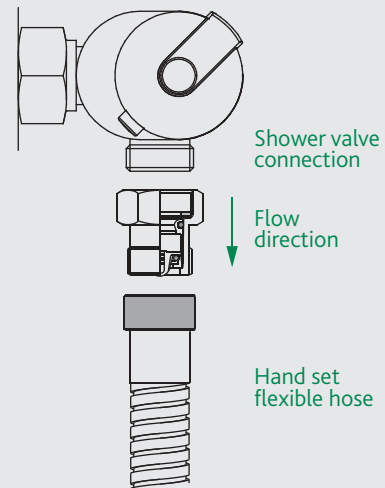
Product Code	Body	Connections M x F	Flow Rate l/m	Colour Code
SY-RO6LF	Brass	½" M x ½" F	6	green
SY-RO8LF	Brass	½" M x ½" F	8	white
SY-RO10LF	Brass	½" M x ½" F	10	blue
SY-RP6LF	ABS	½" M x ½" F	6	green
SY-RP8LF	ABS	½" M x ½" F	8	white
SY-RP10LF	ABS	½" M x ½" F	10	blue
SY-RP346LF	ABS	½" M x ¾" F	6	green
SY-RP348LF	ABS	½" M x ¾" F	8	white
SY-RP3410LF	ABS	½" M x ¾" F	10	blue

Dimensions



Size	A	B	C	kg
½"	G½	G½B	27.5	
¾"	G¾	G½B	28.5	

Typical Application



E & O.E

Altecnic Ltd Mustang Drive, Stafford, Staffordshire ST16 1GW

T: +44 (0)1785 218200 E: sales@altecnic.co.uk

Registered in England No: 2095101

altecnic.co.uk

AL 045 04-08-11

altecnic